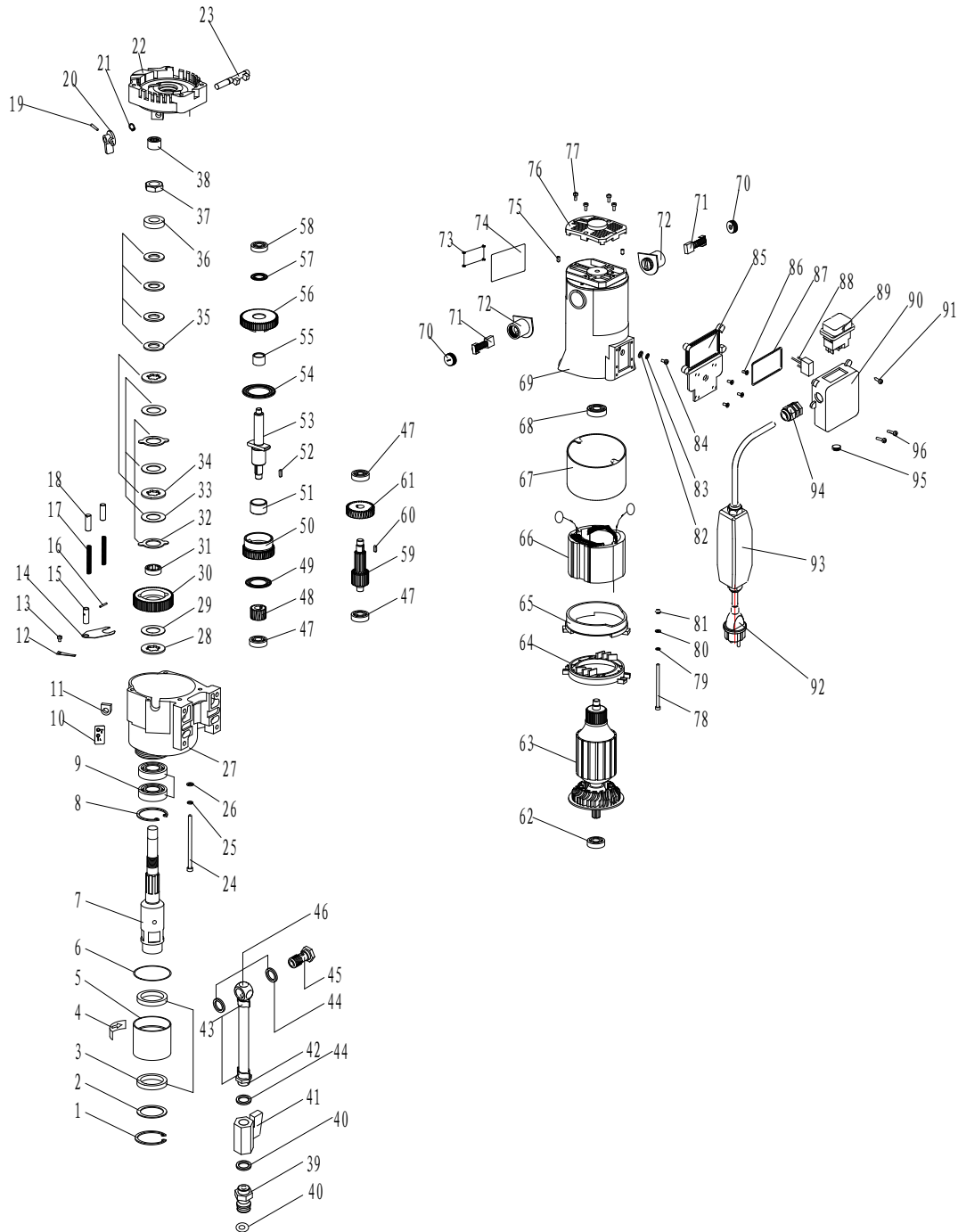
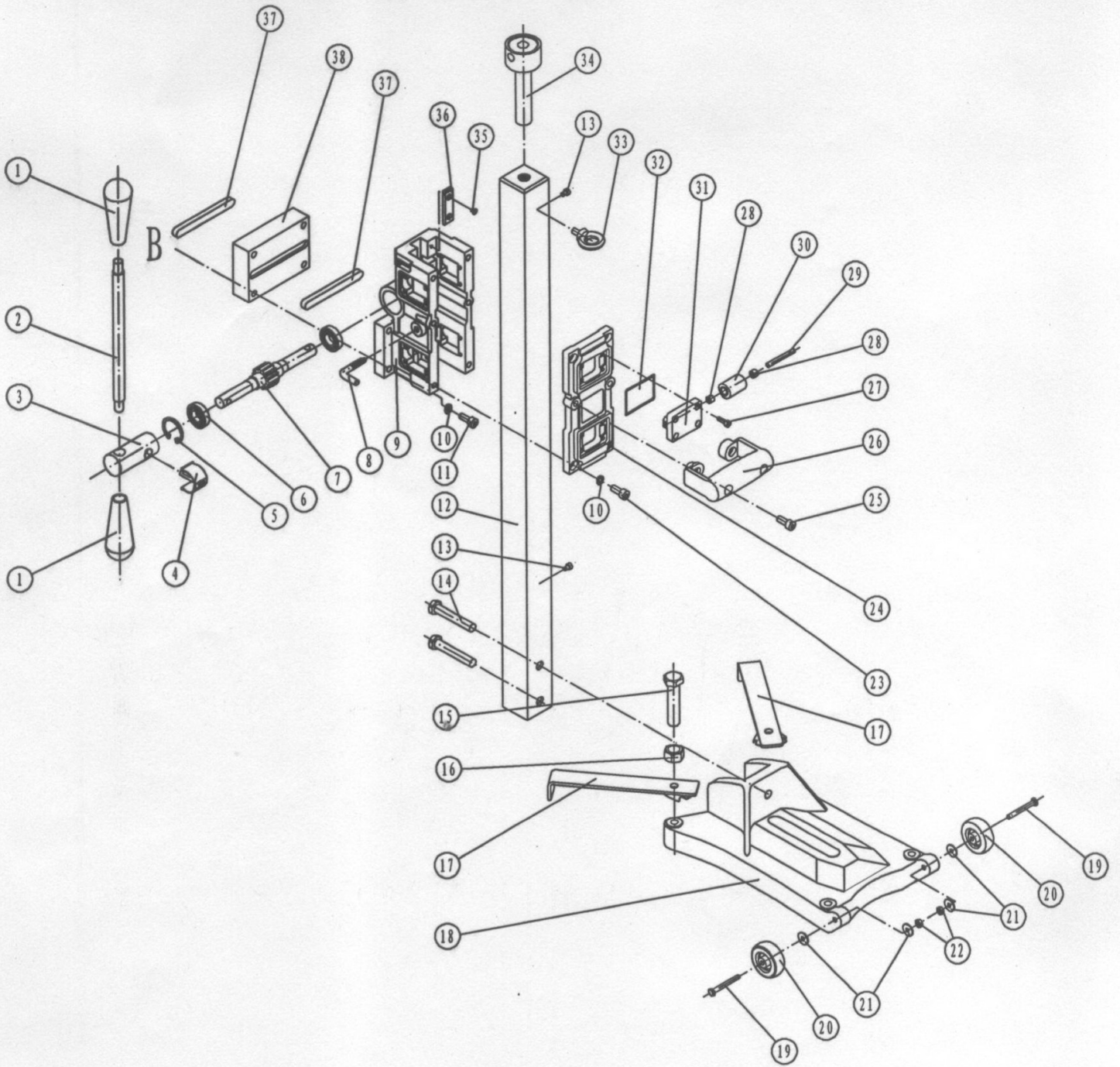


CD12 Diamond core drill drawing



CD12 engine part list

NO.	name	NO.	name
CD12-01	ring for hole Φ 55	CD12-49	pushing roller-pin bearing AXK3047
CD12-02	washer	CD12-50	No.4 gear
CD12-03	rubber sealing FB42x55x8	CD12-51	No.6 gear copper tube 25x30x19
CD12-04	stick of arrow	CD12-52	flat key A4x18
CD12-05	water sealer	CD12-53	variable-speed shaft
CD12-06	adjusting shim	CD12-54	pushing roller-pin bearing AXK4060
CD12-07	output shaft	CD12-55	copper tube 17X22X17
CD12-08	spring for hole Φ 52	CD12-56	No.4 gear
CD12-09	bearing 6205	CD12-57	pushing roller-pin bearing AXK1730
CD12-10	denoter for rotating speed	CD12-58	bearing 6200
CD12-11	sealing tube	CD12-59	gear shaft
CD12-12	small butt cover	CD12-60	flat key A4x12
CD12-13	cross pan head screw M4x6	CD12-61	No.2 gear
CD12-14	spring board	CD12-62	bearing 6202
CD12-15	pin 10x30	CD12-63	armature
CD12-16	spring columnar pin 2.5x20	CD12-64	wind ring
CD12-17	spring	CD12-65	ring
CD12-18	spring housing	CD12-66	stator
CD12-19	cone pin A3x25	CD12-67	stator protector
CD12-20	button	CD12-68	bearing 6201
CD12-21	ring for shaft	CD12-69	machine shell
CD12-22	mid-cover	CD12-70	brush cap cover
CD12-23	mechanic stick	CD12-71	brush assembly
CD12-24	inner hexagonal cylindrical head screw M6x105	CD12-72	brush holder
CD12-25	spring washer 6	CD12-73	rivet for name plate 2X4
CD12-26	flat washer 6	CD12-74	name plate
CD12-27	gear box	CD12-75	hexagon socket set screws with cone point M5x10
CD12-28	pressing ring	CD12-76	rear cover
CD12-29	small friction shim	CD12-77	cross pan head screw M4x14
CD12-30	No.8 gear	CD12-78	inner hexagonal cylindrical head screw M4x90
CD12-31	spline housing	CD12-79	spring washer 4
CD12-32	outer friction shim	CD12-80	flat washer 4
CD12-33	friction shim	CD12-81	screw housing for stator
CD12-34	inner spline friction shim	CD12-82	claw washer 5
CD12-35	butterfly spring	CD12-83	spring washer 5
CD12-36	spindle protector	CD12-84	cross pan head screw M5x6
CD12-37	inner hexagonal nut M20X1.5	CD12-85	switch box cover
CD12-38	multi-roll bearing BK182416	CD12-86	cross sunk screw M4x10
CD12-39	O-shape sealing ring Φ 11.2x2.65	CD12-87	sealing ring for switch box
CD12-40	switch connector	CD12-88	capacitor 0.33 μ F+4700PF
CD12-41	G1/4" miniature ball valve	CD12-89	switch
CD12-42	water nozzle output connector	CD12-90	switch box
CD12-43	fixed ring	CD12-91	cross pan head tapping screws ST4.2x16
CD12-44	water faucet washer	CD12-92	wire with plug
CD12-45	fixed screw	CD12-93	leakage protector (PRCD)
CD12-46	water nozzle connector	CD12-94	pull-off wire M20
CD12-47	bearing 6201	CD12-95	incoming line ring
CD12-48	No.7 gear shaft	CD12-96	cross pan head screw M4x16



Cd12 stand

CD12 stand

NO.	name
cd12-01	bakelite wrench cover
cd12-02	operating stick for machine
cd12-03	operating stick lengthen sleeve
cd12-04	buckle for lengthen sleeve
cd12-05	ring for hole $\Phi 35$
cd12-06	bearing 6003
cd12-07	operating gear shaft
cd12-08	knob
cd12-09	elevating body
cd12-10	spring washer $\mu 8$
cd12-11	inner hexagonal cylindrical head screw M8x50
cd12-12	square pipe assembly
cd12-13	inner hexagonal cylindrical head screw M5*8
cd12-14	bolt M12X65
cd12-15	bolt M16X75
cd12-16	nut M16
cd12-17	supporting plate
cd12-18	base
cd12-19	hexagonal bolt M12*130
cd12-20	3" rubber wheel
cd12-21	washer $\mu 12$
cd12-22	hexagonal nut M12
cd12-23	inner hexagonal cylindrical head screw M8x20
cd12-24	elevating body cover
cd12-25	inner hexagonal cylindrical head screw M8x35
cd12-26	handle
cd12-27	inner hexagonal cylindrical head screw M5x16
cd12-28	bushing block
cd12-29	pin
cd12-30	sliding wheel
cd12-31	bracket for sliding wheel
cd12-32	adjustment sheet
cd12-33	lifting bolt M8x10
cd12-34	screw
cd12-35	cross sunk screw M4x6
cd12-36	track strip
cd12-37	long bond
cd12-38	transition board£" optional part,it doesn't appear in the standard list of spare part)